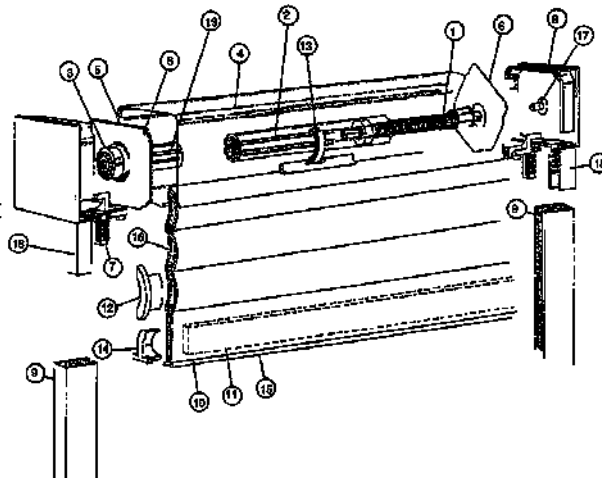


TAB STORAGE SYSTEMS

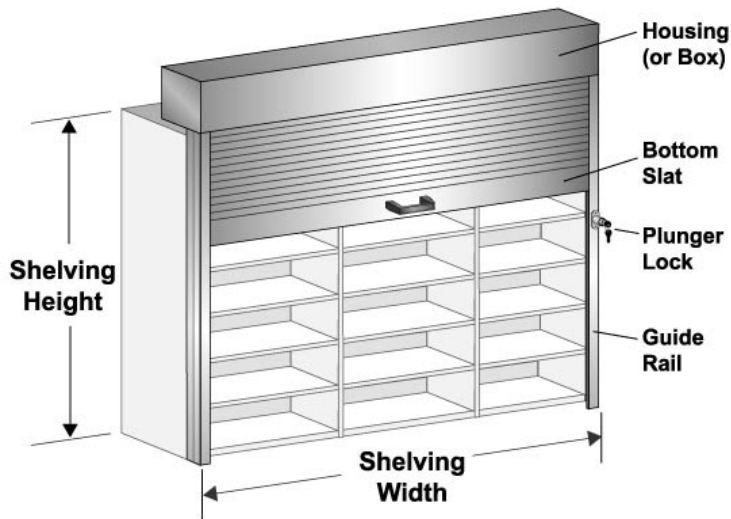
Mechanical Parts

- 1 Assist Spring
- 2 Center Axle
- 3 Insert Bearing
- 4 Housing Box – Back
- 5 Housing Box – Front
- 6 Retainer Plates
- 7 Entry Guide
- 8 End Cap
- 9 Guide Rails
- 10 Bottom Slat



- 11 Steel Weight
- 12 Side Lock
- 13 Hanging Straps
- 14 Impact Stop
- 15 Cushioned Insert
- 16 Slat
- 17 End Cap Pivot Post
- 18 End Cap Ear
- 19 Axle Insert

Measuring Guide



Security Door Featured on a TAB Mobile System



CONTACT ONE OF OUR
REPRESENTATIVES TODAY.

UNITED STATES • 888.822.9777 www.tab.com
CANADA • 800.387.6212